

**AT801**  
Standard Profile Housing



**Semi-Custom**

Offered in a variety of shapes and sizes and endless customizable options

**End to End Connectivity**

Using our patent pending coupling mounting clips, A-Track offers an elegant solution no matter how short or long your fixture needs to be

**Made in the USA**

Fabricated of high quality American aluminum and premium optic diffuser lenses

**Custom Lengths**

Pre-assembled: ≤ 8 ft. (96 in)  
Assembly Required: > 8 ft. (96 in)

See separate installation instructions

Patent Pending - MADE IN USA

Tested as suitable for use within clothing closet spaces by ETL/ Intertek

Must be installed in accordance with NEC 410.16 for use in clothing closet spaces



Component of a complete system including: Aion LED A-Track Light Engine, Aion LED A-Track housing with diffuser lens, & Aion LED driver (power supply). Dimmer not included. Approved dimmers, controls, power supplies, cable, & other components only. Contact Aion LED for questions regarding compatibility. Electrician installed. Strictly adhere to NEC & local building code. Limited 5-year warranty against manufacturing defects only, does not cover labor; voided by: inadequate ventilation, field modifications, installation by unqualified personnel, unapproved controls, drivers, cabling, other devices, not following installation guidelines & protocol, general negligence. Installer assumes all liability with regard to property & safety. This product is UL listed. See separate "Aion LED Warranty Terms" & additional instructional materials for more information. Authorized installers only. Systems tested prior to shipping.

## Customization Options

AT-Series A-Track fixtures are semi custom and made to order. If you need an additional option or feature- please contact Aion LED to discuss



### Profile

Standard

### Lens

Frosted  
Clear  
Prismatic

### Finish

Anodized Silver  
Anodized Dark Bronze  
Custom Color

### Mounting

Mounting Clips Pivot  
Mounting Clips HD  
Adhesive backing

### Feed

End  
Rear  
Side

### Length

Custom pre-cut  
Field Cuttable

### Wiring

24" Leads  
48" Leads  
Custom length leads  
M/F Disconnect Plugs  
Color: White/ Black

AT Series A-Track orders include: A -Track housing, lens, end caps, end cap screws, wire grommets & mounting clips

Tested as suitable for use within clothing closet spaces by ETL/ Intertek

Must be installed in accordance with NEC 410.16 for use in clothing closet spaces

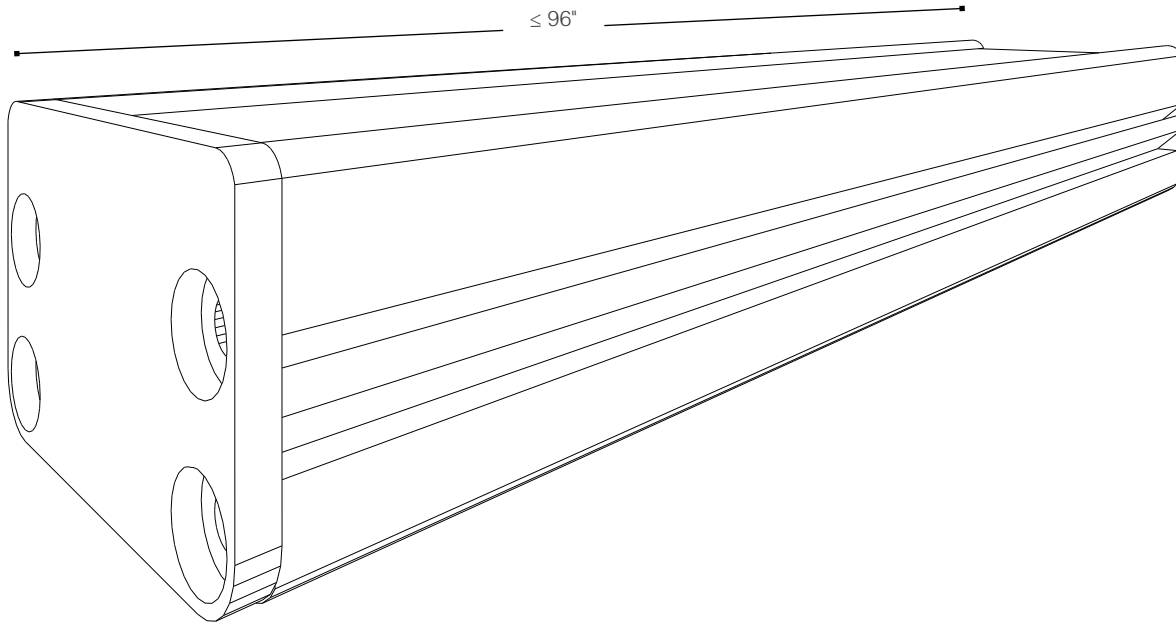


Component of a complete system including: Aion LED A-Track Light Engine, Aion LED A-Track housing with diffuser lens, & Aion LED driver (power supply). Dimmer not included. Approved dimmers, controls, power supplies, cable, & other components only. Contact Aion LED for questions regarding compatibility. Electrician installed. Strictly adhere to NEC & local building code. Limited 5-year warranty against manufacturing defects only, does not cover labor; voided by: inadequate ventilation, field modifications, installation by unqualified personnel, unapproved controls, drivers, cabling, other devices, not following installation guidelines & protocol, general negligence. Installer assumes all liability with regard to property & safety. This product is UL listed. See separate "Aion LED Warranty Terms" & additional instructional materials for more information. Authorized installers only. Systems tested prior to shipping.

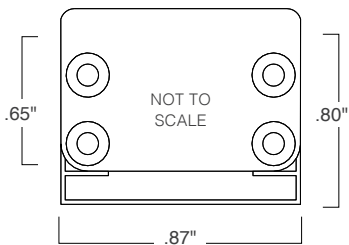
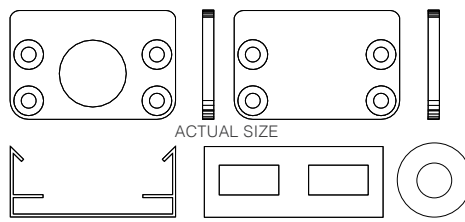


AIONLED.COM | (415) 255-AION  
MODIFIED June 19, 2017

© 2017 Aion LED. All Rights Reserved

**AT801**  
 Standard Profile


NOT TO SCALE

**Dimensions**

**Accessories**

**Compatibility**

Direct View	Indirect View
9524-FR	9524-FR
6524-LE	6524-LE
8000-LE	8000-LE
4000-LE	4000-LE
	3000-LE
	8924-CT3022-LE
	8924-RGBW-LE
	7000-RGB
	5000-RGB

Component of a complete system including: Aion LED A-Track Light Engine, Aion LED A-Track housing with diffuser lens, & Aion LED driver (power supply). Dimmer not included. Approved dimmers, controls, power supplies, cable, & other components only. Contact Aion LED for questions regarding compatibility. Electrician installed. Strictly adhere to NEC & local building code. Limited 5-year warranty against manufacturing defects only, does not cover labor; voided by: inadequate ventilation, field modifications, installation by unqualified personnel, unapproved controls, drivers, cabling, other devices, not following installation guidelines & protocol, general negligence. Installer assumes all liability with regard to property & safety. This product is UL listed. See separate "Aion LED Warranty Terms" & additional instructional materials for more information. Authorized installers only. Systems tested prior to shipping.