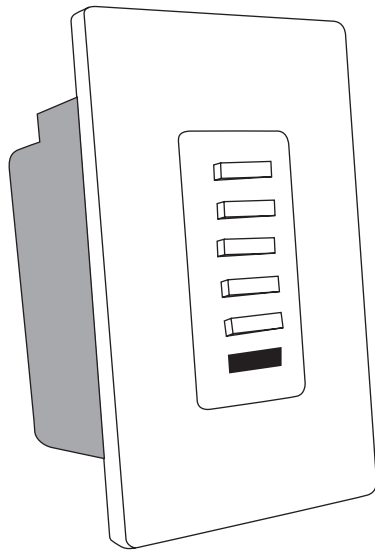


AX5-2
 Compact DMX Controller


AX5 ships pre-programmed to factory default settings per application

Standard Decora™ Mounting

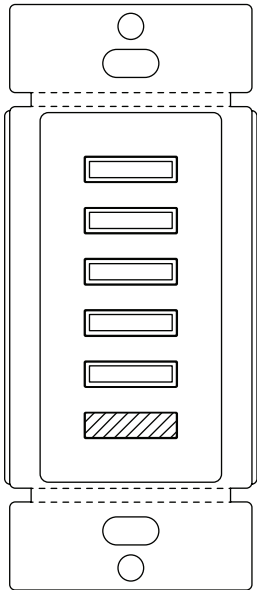
Optional programming software, USB interface & remote control available

Requires Approved DMX Signal Cable, Including Belden 9841 -Sold Separately

Requires D12-M-24 Power Supply

MODEL	AX5-2
DIMENSIONS (L-W-H)"	1.8 x 1.8 x 4.1"
WEIGHT	2.9 oz
POWER	2- POSITION SPRING CLIP TERMINAL
DMX PORT	3- POSITION REMOVABLE TERMINAL BLOCK
INPUT	24 VDC

DEFAULT PROGRAMMING



Up: 2150K @ 0.1% - 2950K @100%
 Down: 2950K @100% - 2150K @ 0.1%, Off
 Scene: 2150K - 2700K - 2950K @100%
 Demo
 Off



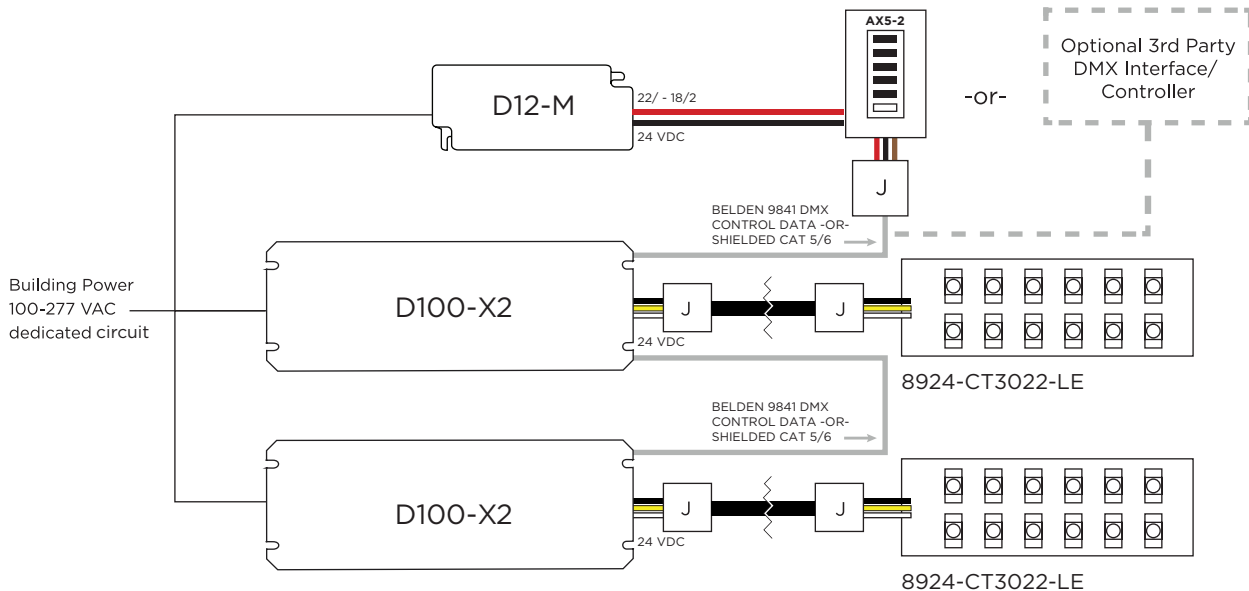
AX5 ships pre-programmed to factory default settings per application

Requires Approved DMX Signal Cable, Including Belden 9841 -Sold Separately

Requires D12-M-24 Power Supply

Default programming subject to change without notice

AX5-2 WIRING DIAGRAM



J = Electrical Junction Box

Component of a complete system including: Aion LED A-Track Light Engine, Aion LED A-Track housing with diffuser lens, & Aion LED driver (power supply). Dimmer not included. Approved dimmers, controls, power supplies, cable, & other components only. Contact Aion LED for questions regarding compatibility. Electrician installed. Strictly adhere to NEC & local building code. Limited 5-year warranty against manufacturing defects only, does not cover labor; voided by: inadequate ventilation, field modifications, installation by unqualified personnel, unapproved controls, drivers, cabling, other devices, not following installation guidelines & protocol, general negligence. Installer assumes all liability with regard to property & safety. This product is UL listed. See separate "Aion LED Warranty Terms" & additional instructional materials for more information. Authorized installers only. Systems tested prior to shipping.