

Premium Class 2 Dimming  
LED Driver

Magnetic Low Voltage  
Transformer

Pure DC MOSFET Supply

Fully Regulated

0.1% DIMMING\*  
MADE IN USA

Multiple Inputs Available:  
120, 240, 277 VAC

UL LISTED 8750,  
CSA Approved

NEMA 3R Outdoor Case

Manual reset overload protection

5 Year Warranty

Electrician Installed - Strictly adhere to NEC & local code.  
Requires minimum 4" space in all directions. Requires adequate  
ventilation. Use dedicated circuit Isolated from other appliances.  
Load 40 - 90%

Requires Aion LED brand lighting fixture and approved dimmer  
or switch. Sold separately, not included

DO NOT USE PHASE ADAPTIVE  
CONTROLS FORWARD PHASE  
MLV CONTROLS ONLY

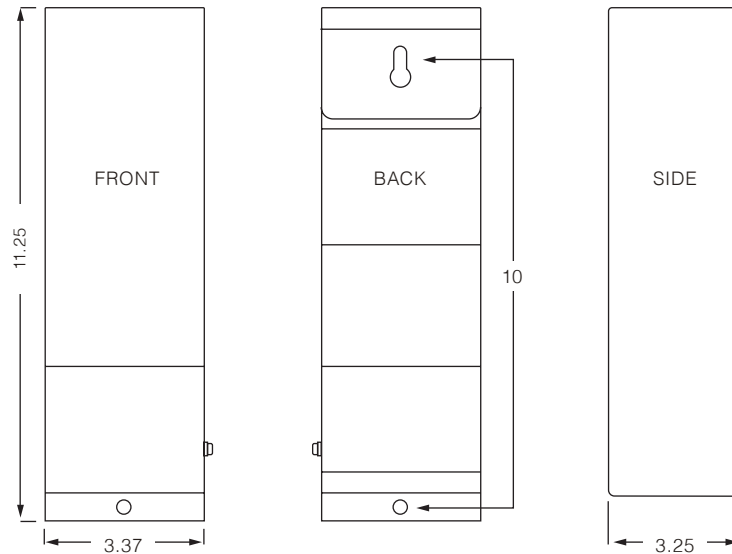
\*SEE APPROVED  
CONTROLS LIST



Component of a complete system including: Aion LED A-Track Light Engine, Aion LED A-Track housing with diffuser lens, & Aion LED driver (power supply). Dimmer not included. Approved dimmers, controls, power supplies, cable, & other components only. Contact Aion LED for questions regarding compatibility. Electrician installed. Strictly adhere to NEC & local building code. Limited 5-year warranty against manufacturing defects only, does not cover labor; voided by: inadequate ventilation, field modifications, installation by unqualified personnel, unapproved controls, drivers, cabling, other devices, not following installation guidelines & protocol, general negligence. Installer assumes all liability with regard to property & safety. This product is UL listed. See separate "Aion LED Warranty Terms" & additional instructional materials for more information. Authorized installers only. Systems tested prior to shipping.

## D100-DC

100 Watt MLV Driver



Model	D100-DC	Watts	96
Standard Input Voltage	120 VAC	Dimensions "	11.25 X 3.37 X 3.25
Output Voltage Loaded	24 VDC	Input Current	1.12A
Output Current	4A, 96W	Input Frequency (Hz)	50-60
Current Limit	2.5/4.5 +/- 0.25	Efficiency	80%
Load Regulation	2%	MTBF	100,000
Line Regulation	5%	Operating Environment	-30 to +60
Function Surface Temp	-40 to +80		

### Max Lengths

3000 Series	60 ft. (2 x 30)
4000 Series	30 ft.
8000 Series	15 ft.

### Max Wire Distance

18 AWG	27 ft.
16 AWG	44 ft.
14 AWG	70 ft.
12 AWG	112 ft.
10 AWG	180 ft.
8 AWG	286 ft.



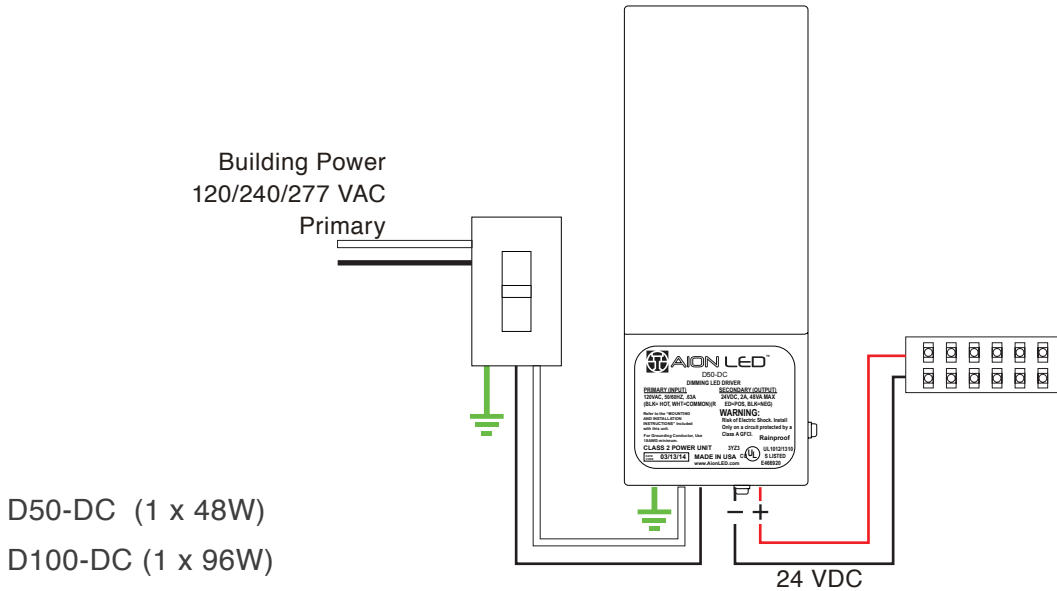
Component of a complete system including: Aion LED A-Track Light Engine, Aion LED A-Track housing with diffuser lens, & Aion LED driver (power supply). Dimmer not included. Approved dimmers, controls, power supplies, cable, & other components only. Contact Aion LED for questions regarding compatibility. Electrician installed. Strictly adhere to NEC & local building code. Limited 5-year warranty against manufacturing defects only, does not cover labor; voided by: inadequate ventilation, field modifications, installation by unqualified personnel, unapproved controls, drivers, cabling, other devices, not following installation guidelines & protocol, general negligence. Installer assumes all liability with regard to property & safety. This product is UL listed. See separate "Aion LED Warranty Terms" & additional instructional materials for more information. Authorized installers only. Systems tested prior to shipping.



AIONLED.COM | (415) 255-AION  
MODIFIED June 19, 2017

© 2017 Aion LED. All Rights Reserved

## D50-DC & D100-DC WIRING DIAGRAM



## INSTALLATION INSTRUCTIONS

- This unit must be located 1 foot or greater above the deck or ground level. 4" space required between units.
  - Mount this unit on a suitable vertical surface with conduit openings down.
  - Using a ruler, measure the vertical mounting point distance for the brackets provided on the back of the enclosure.
  - Mark the mounting surface and drill a minimum of 2 holes to match the bracket hole centers. Size the drill to accommodate #10 mounting hardware.
  - If keyhole mounting brackets are provided, insert the hardware at the mounting point to allow for 3/16" spacing between the screw head and the mounting surface to accommodate the bracket thickness.
  - Refer to the product labeling for detailed line and load wiring procedure.
- For connection, use No. 12-18 AWG wires insulated for a minimum of 90C, rated for 600V. Tightening torque 7 in-lbs for output terminal block.
  - Use wire connectors suitable for the number and size conductors being connected and applied in accordance with the manufacturer's instructions.
  - Minimum 20 amp supply side branch circuit.
  - A disconnect device shall be located in the field wiring.
- Aion LED DC Blue Series drivers have been factory tested for use with specific 120 VAC dimmers designed for magnetic (MLV) forward-phase loads.
- PLEASE SEE APPROVED DIMMERS PAGE FOR COMPATIBLE CONTROLS. DO NOT ATTEMPT CONNECTING UNAPPROVED DIMMERS OR CONTROLS. DAMAGE TO THE DIMMER, FIXTURE AND/OR THE POWER UNIT WILL RESULT; THE POWER UNIT WARRANTY WILL BE VOIDED.**
- Please load 40–90% MAX. Please see specifications page for fixture-specific max load/ run length information.



<b>Lutron</b>	MAESTRO: <b>MRF2-6ND</b>	0.1-1%*	(DO NOT RECOMMEND MALV-600)
	NOVA: <b>NTLV-600</b>	0.1-1%*	HE TRIM
	HOMEWORKS QS: <b>RPM-4U</b> <b>HQRD-10ND</b> <b>HQRD-6ND</b> <b>HQRD-6CL (H2)</b> <b>HQRA-6CL (H2)</b>	0.1-1%*	(DO NOT RECOMMEND RPM-4A) DO NOT SHARE WITH OTHER LOADS HE TRIM (DO NOT RECOMMEND 6NA)
	HOMEWORKS: <b>HxD-6ND</b> <b>HW/LP RPM -4U-120†</b>	0.1-1%*	HE TRIM † (DO NOT RECOMMEND RPM-4A) DO NOT SHARE WITH OTHER LOADS
	RADIO RA2: <b>RRD-10ND</b> <b>RRD-6CL(R3)</b>	0.1-1%*	(DO NOT RECOMMEND 6NA) HE TRIM
	GRAFIK EYE QS: <b>LQRJ-WPM-6P</b>	0.1-1%*	HE TRIM
	GRAFIK EYE 3000: <b>HWI-WPM-6D-120</b>	0.1-1%*	HE TRIM
	STANZA: <b>SZ-6ND</b>	0.1-1%*	HE TRIM
	<b>PHPM-PA</b> <i>FORWARD-PHASE ONLY</i> <i>PHPM-PA-120-FP-WH-CPN6366</i> <i>PHPM-PA-DV-FP-WH-CPN6366</i>	0.1-1%*	HE TRIM USE WITH UP & RP
	<b>PHPM-WBX</b>	0.1-1%*	HE TRIM
	PANEL MODULE: <b>GP (Harrier) Card</b>	0.1-1%*	HE TRIM
	CASETA WIRELESS: <b>PD-6WCL (SD11)</b>	0.1-1%*	HE TRIM
<b>ETC</b>	<b>D20AF</b>	0.1%	SENSOR RACK
<b>Forbes &amp; Lomax</b>	ROTARY DIMMER : <b>FLRLV603-P</b>	0.1%	
<b>Vantage</b>	STANDARD DIMMER MODULE <b>SDM12-EM</b>	0.1%	HE TRIM
	WIRELINK SCENEPOINT DIMMER: <b>DS15TE-AWYA</b>	0.1%	HE TRIM
	RADIOLINK SCENEPOINT DIMMER: <b>RD15TE-AWYA</b>	0.1%	HE TRIM
<b>Crestron</b>	<b>GLX-DIM6</b>	0.1%	HE TRIM
<b>Le Grand</b>	ADORN: <b>ADTP703TU(W4)</b>	0.1%	HE TRIM
	Adorn Wireless: <b>ADTG700MMTU(W2)</b>	0.1%	HE TRIM

Testing completed by Aion LED and various controls manufacturers to ensure compatibility.

MLV FORWARD PHASE ONLY. DO NOT USE ADAPTIVE PHASE CONTROLS

Low-end dimming minimum threshold varies by control and can be set when programming trim levels.

Use high-end trim (HE Trim) to eliminate dead travel, set low trim to lowest level dimmer will allow.

\*Lowest dim levels achieved with little or no LE Trim. Dimmer manufacturers may recommend setting LE Trim higher to increase start time when necessary.