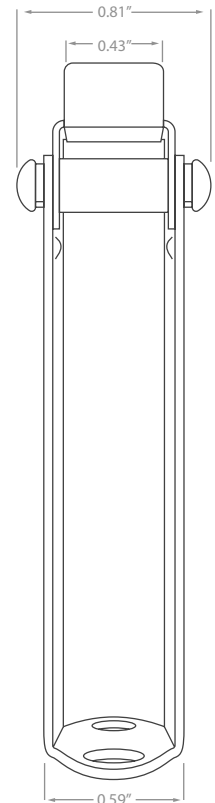
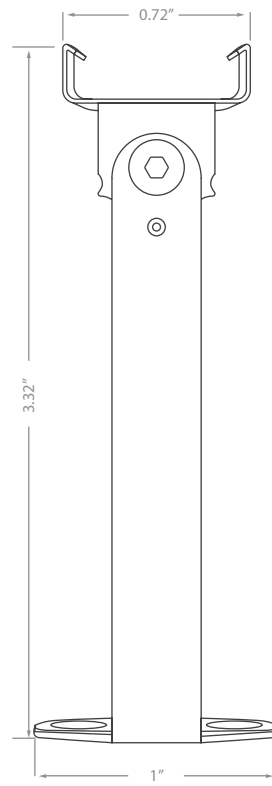
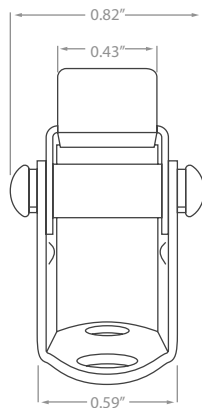
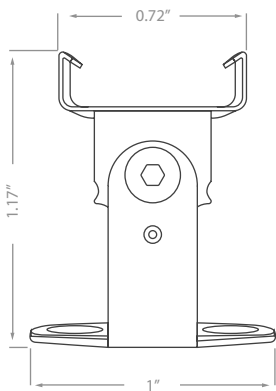
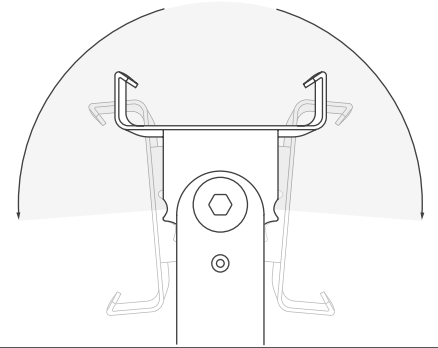
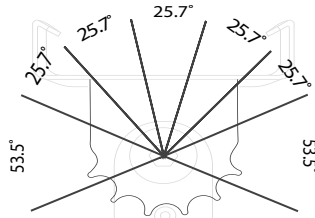
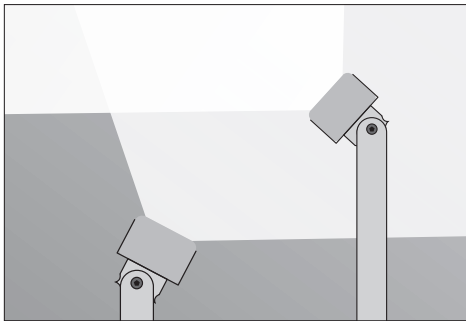


PRELIMINARY SPECIFICATION, SUBJECT TO CHANGE WITHOUT NOTICE

STAND OFF PIVOT MOUNTING CLIPS

AT40-MC-P*

Range of Motion
190°



1" Pivot Mounting Clip

- AT40-MC-P1 Compatible with:
AT401 & AT402
WT401 & WT402

3" Pivot Mounting Clip

- AT40-MC-P3 Compatible with:
AT401 & AT402
WT401 & WT402

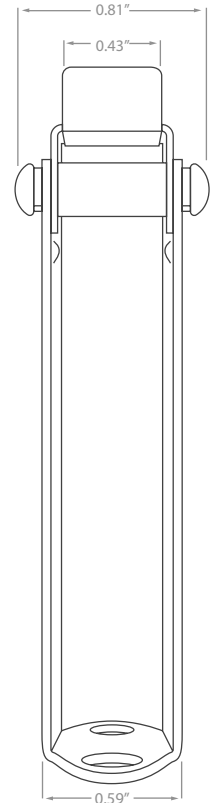
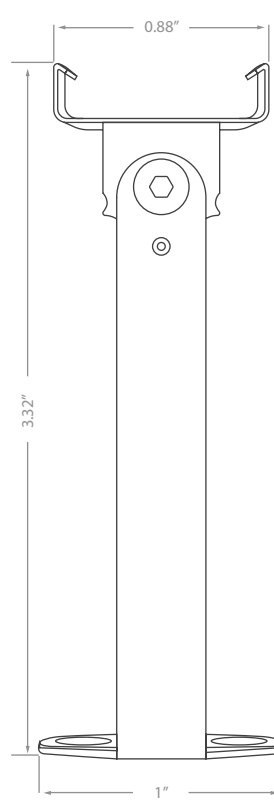
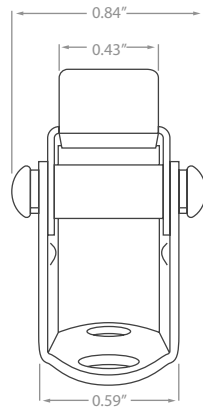
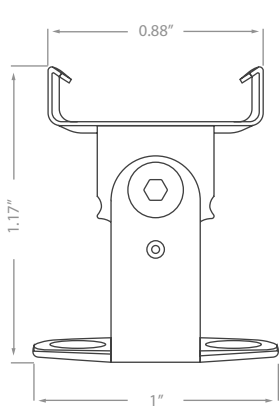
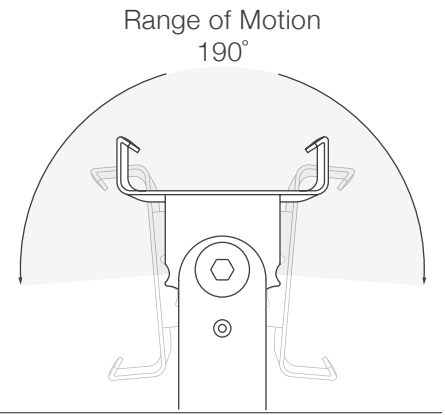
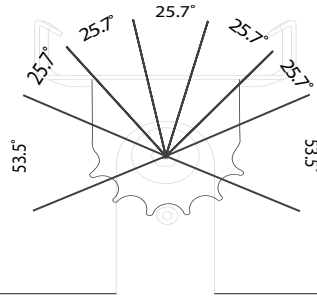
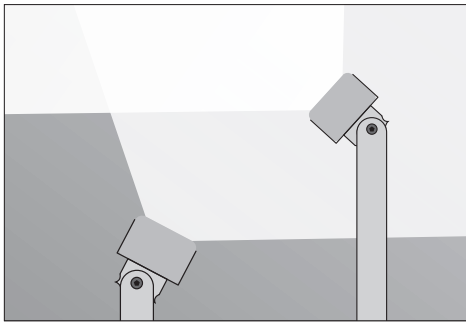
PRELIMINARY SPECIFICATION, SUBJECT TO CHANGE WITHOUT NOTICE

Component of a complete system including: Aion LED A-Track Light Engine, Aion LED A-Track housing with diffuser lens, & Aion LED driver (power supply). Dimmer not included. Approved dimmers, controls, power supplies, cable, & other components only. Contact Aion LED for questions regarding compatibility. Electrician installed. Strictly adhere to NEC & local building code. Limited 5-year warranty against manufacturing defects only; does not cover labor; voided by: inadequate ventilation, field modifications, installation by unqualified personnel, unapproved controls, drivers, cabling, other devices, not following installation guidelines & protocol, general negligence. Installer assumes all liability with regard to property & safety. This product is UL listed. See separate "Aion LED Warranty Terms" & additional instructional materials for more information. Authorized installers only. Systems tested prior to shipping.

PRELIMINARY SPECIFICATION, SUBJECT TO CHANGE WITHOUT NOTICE

STAND OFF PIVOT MOUNTING CLIPS

AT80-MC-P*



1" Pivot Mounting Clip

- AT80-MC-P1 Compatible with:
AT801 & AT802
WT801 & WT802

3" Pivot Mounting Clip

- AT80-MC-P3 Compatible with:
AT801 & AT802
WT801 & WT802

PRELIMINARY SPECIFICATION, SUBJECT TO CHANGE WITHOUT NOTICE

Component of a complete system including: Aion LED A-Track Light Engine, Aion LED A-Track housing with diffuser lens, & Aion LED driver (power supply). Dimmer not included. Approved dimmers, controls, power supplies, cable, & other components only. Contact Aion LED for questions regarding compatibility. Electrician installed. Strictly adhere to NEC & local building code. Limited 5-year warranty against manufacturing defects only; does not cover labor; voided by: inadequate ventilation, field modifications, installation by unqualified personnel, unapproved controls, drivers, cabling, other devices, not following installation guidelines & protocol, general negligence. Installer assumes all liability with regard to property & safety. This product is UL listed. See separate "Aion LED Warranty Terms" & additional instructional materials for more information. Authorized installers only. Systems tested prior to shipping.