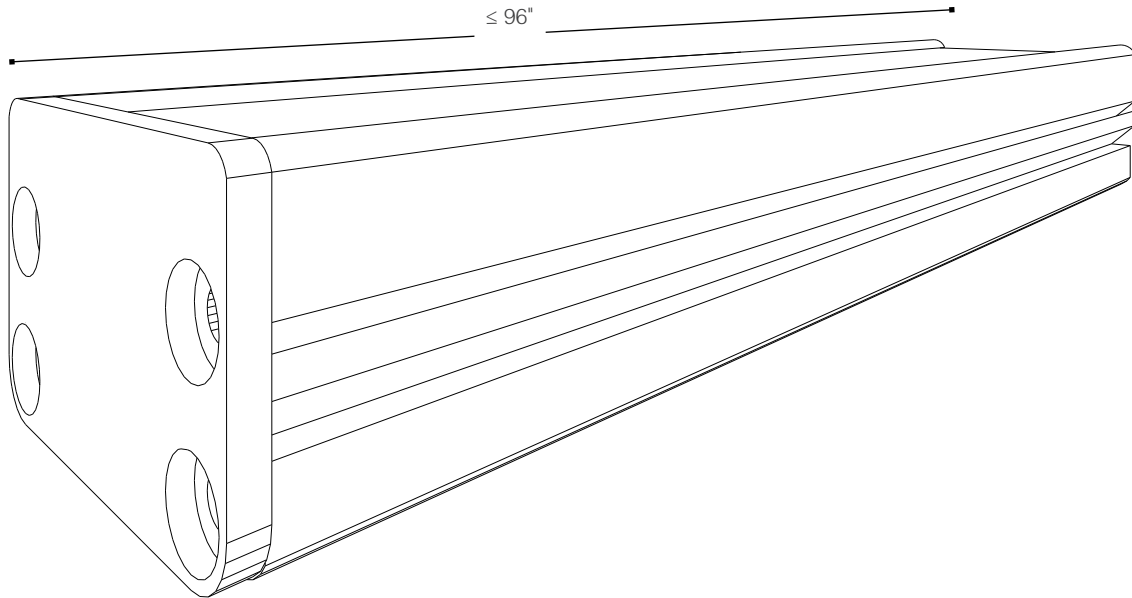


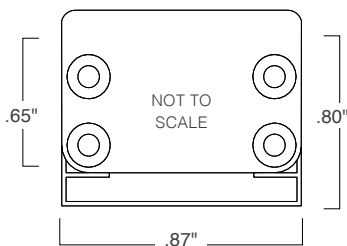
PRELIMINARY SPECIFICATION, SUBJECT TO CHANGE WITHOUT NOTICE

WT801
Standard Profile



NOT TO SCALE

Dimensions



Compatibility

Direct View	Indirect View
9524-FR	9524-FR
6524-LE	6524-LE
8000-LE	8000-LE
4000-LE	4000-LE
	3000-LE
	8924-CT3022-LE
	8924-RGBW-LE
	7000-RGB
	5000-RGB

PRELIMINARY SPECIFICATION, SUBJECT TO CHANGE WITHOUT NOTICE

Component of a complete system including: Aion LED A-Track Light Engine, Aion LED A-Track housing with diffuser lens, & Aion LED driver (power supply). Dimmer not included. Approved dimmers, controls, power supplies, cable, & other components only. Contact Aion LED for questions regarding compatibility. Electrician installed. Strictly adhere to NEC & local building code. Limited 5-year warranty against manufacturing defects only, does not cover labor; voided by: inadequate ventilation, field modifications, installation by unqualified personnel, unapproved controls, drivers, cabling, other devices, not following installation guidelines & protocol, general negligence. Installer assumes all liability with regard to property & safety. This product is UL listed. See separate "Aion LED Warranty Terms" & additional instructional materials for more information. Authorized installers only. Systems tested prior to shipping.

PRELIMINARY SPECIFICATION, SUBJECT TO CHANGE WITHOUT NOTICE

Customization Options

WT-Series fixtures are semi custom and made to order. If you need an additional option or feature- please contact Aion LED to discuss



Profile

Standard

Lens

Frosted
Clear

Finish

Anodized Silver
Anodized Dark
Bronze
Custom Color -
Additional Lead Time

Length

Pre-assembled:
≤ 8 ft. (96 in)

Max Length is 8 ft.

**Attempted Field
Modifications Void
Warranty.**

Mounting

Standard Mounting Clips
HD Adhesive backing
Pivot Mounting Clip

Wiring

24" Leads
48" Leads
Custom length leads
M/F Disconnect
Plugs
Color: White/ Black

Includes: WT Series housing, lens, end caps, end cap screws, wire grommets, mounting clips, seals & gaskets

Tested as suitable for use within clothing closet spaces by ETL/ Intertek

Must be installed in accordance with NEC 410.16 for use in clothing closet spaces



PRELIMINARY SPECIFICATION, SUBJECT TO CHANGE WITHOUT NOTICE

Component of a complete system including: Aion LED A-Track Light Engine, Aion LED A-Track housing with diffuser lens, & Aion LED driver (power supply). Dimmer not included. Approved dimmers, controls, power supplies, cable, & other components only. Contact Aion LED for questions regarding compatibility. Electrician installed. Strictly adhere to NEC & local building code. Limited 5-year warranty against manufacturing defects only, does not cover labor; voided by: inadequate ventilation, field modifications, installation by unqualified personnel, unapproved controls, drivers, cabling, other devices, not following installation guidelines & protocol, general negligence. Installer assumes all liability with regard to property & safety. This product is UL listed. See separate "Aion LED Warranty Terms" & additional instructional materials for more information. Authorized installers only. Systems tested prior to shipping.



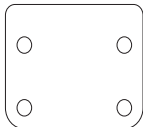
AIONLED.COM | (415) 255-AION
| MODIFIED June 14, 2017

© 2016 Aion LED. All Rights Reserved

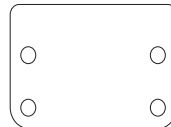
PRELIMINARY SPECIFICATION, SUBJECT TO CHANGE WITHOUT NOTICE

WET TRACK

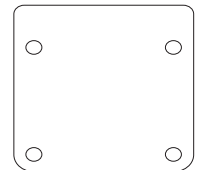
High Efficacy Exterior Rated Linear Fixture System



WT402



WT801



WT802

Actual Size

Custom Lengths

Pre-assembled: ≤ 8 ft. (96 in)

Max Length is 8 ft. (96 in)*

Made in the USA

Fabricated with high quality American aluminum and premium UV stable optics

IP66

Wet Location, Sealed with gaskets

Not meant to be submerged, adequate drainage required

Select desired profile, finish, lens & light engine

Determine required lengths

Attempted Field Modifications Void Warranty.

See separate installation instructions

*IP66 rating includes high pressure spray, but fixture is not meant to ever become submerged under any circumstances. Adequate drainage provisions must be installed in every installation. Aion LED will not be held responsible for product failure from liquid ingress due to installation error. Bent sections may not be water tight. If a fixture is damaged in transit, please bring it to the attention of the distributor immediately for replacement.



Tested as suitable for use within clothing closet spaces by ETL/ Intertek

Must be installed in accordance with NEC 410.16 for use in clothing closet spaces

PRELIMINARY SPECIFICATION, SUBJECT TO CHANGE WITHOUT NOTICE

Component of a complete system including: Aion LED A-Track Light Engine, Aion LED A-Track housing with diffuser lens, & Aion LED driver (power supply). Dimmer not included. Approved dimmers, controls, power supplies, cable, & other components only. Contact Aion LED for questions regarding compatibility. Electrician installed. Strictly adhere to NEC & local building code. Limited 5-year warranty against manufacturing defects only, does not cover labor; voided by: inadequate ventilation, field modifications, installation by unqualified personnel, unapproved controls, drivers, cabling, other devices, not following installation guidelines & protocol, general negligence. Installer assumes all liability with regard to property & safety. This product is UL listed. See separate "Aion LED Warranty Terms" & additional instructional materials for more information. Authorized installers only. Systems tested prior to shipping.



AIONLED.COM | (415) 255-AION
| MODIFIED June 14, 2017

© 2016 Aion LED. All Rights Reserved