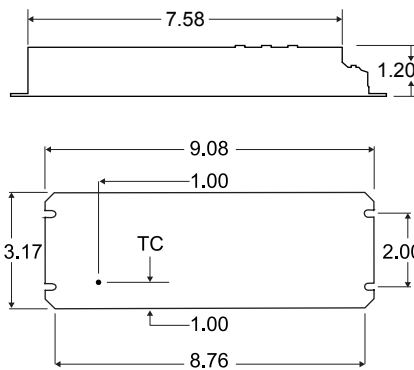
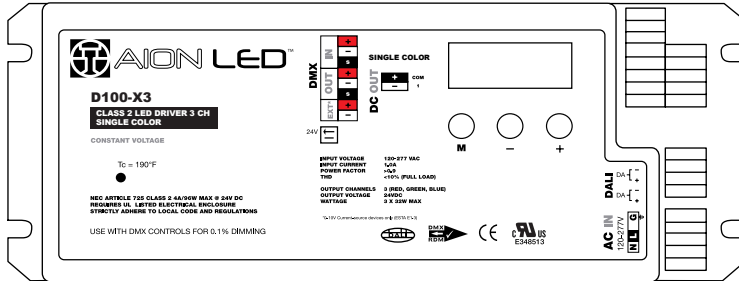


X3

3 Channel DMX Driver



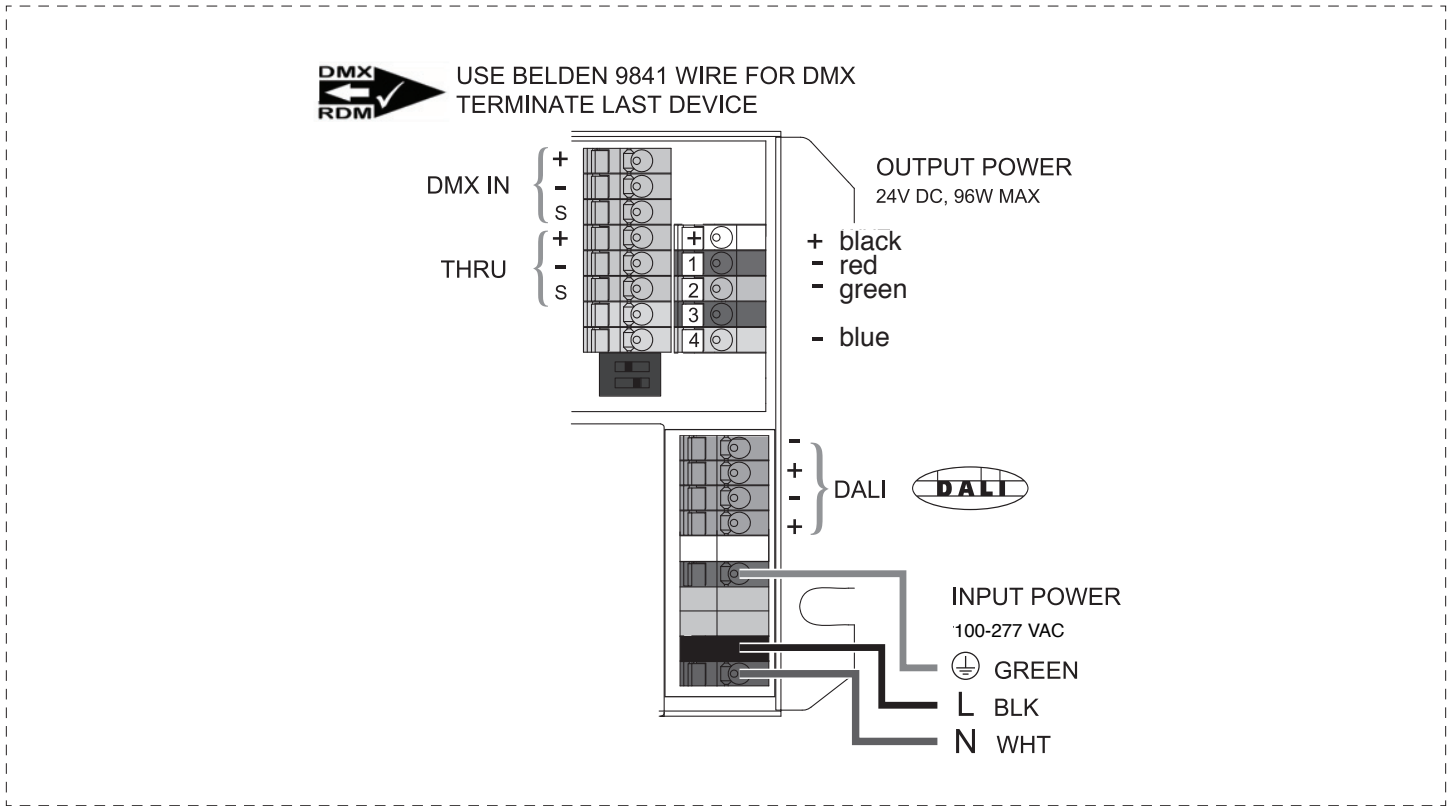
- 3 Channel DMX Driver
- Integrated Class 2 Supply
- LCD interface
- Universal 100-277VAC Input
- UL, CE, & CSA APPROVED
- Requires UL Listed Enclosure

MODEL	D100-X3		
CASE	DRY & DAMP	DIMENSIONS (L-W-H)"	9.06 x 3.15 x 1.18"
WATTAGE	96W @ 24 VDC	PRIMARY BREAKER	AUTO-RESET
INPUT VOLTAGE (Hz)	100-277 VAC, 60HZ	DIMMING	0.1%
INRUSH CURRENT	120 VAC: 35A 240µs 277 VAC: 75A 240µs	CONTROL TYPE	Aion LED AX5-3 Controller, DTM or 3rd Party DMX Interface
INPUT CURRENT	120 VAC: 1.05A 277 VAC: 0.45A	3RD PARTY DMX COMPATIBILITY	Lutron, Vantage, Crestron, ETC AMX (ANY DMX)
POWER FACTOR	>0.94	THERMAL CLASS	(B) 130 C
VOLTAGE LOADED	23.5 VDC	MAX FEET 7024-RGB	20
VOLTAGE OPEN	24.2 VDC	MAX FEET 5024-RGB	35



Component of a complete system including: Aion LED A-Track Light Engine, Aion LED A-Track housing with diffuser lens, & Aion LED driver (power supply). Dimmer not included. Approved dimmers, controls, power supplies, cable, & other components only. Contact Aion LED for questions regarding compatibility. Electrician installed. Strictly adhere to NEC & local building code. Limited 5-year warranty against manufacturing defects only, does not cover labor; voided by: inadequate ventilation, field modifications, installation by unqualified personnel, unapproved controls, drivers, cabling, other devices, not following installation guidelines & protocol, general negligence. Installer assumes all liability with regard to property & safety. This product is UL listed. See separate "Aion LED Warranty Terms" & additional instructional materials for more information. Authorized installers only. Systems tested prior to shipping.

REQUIRES DMX CONTROLLER & CONTROL WIRE DAISY-CHAIN



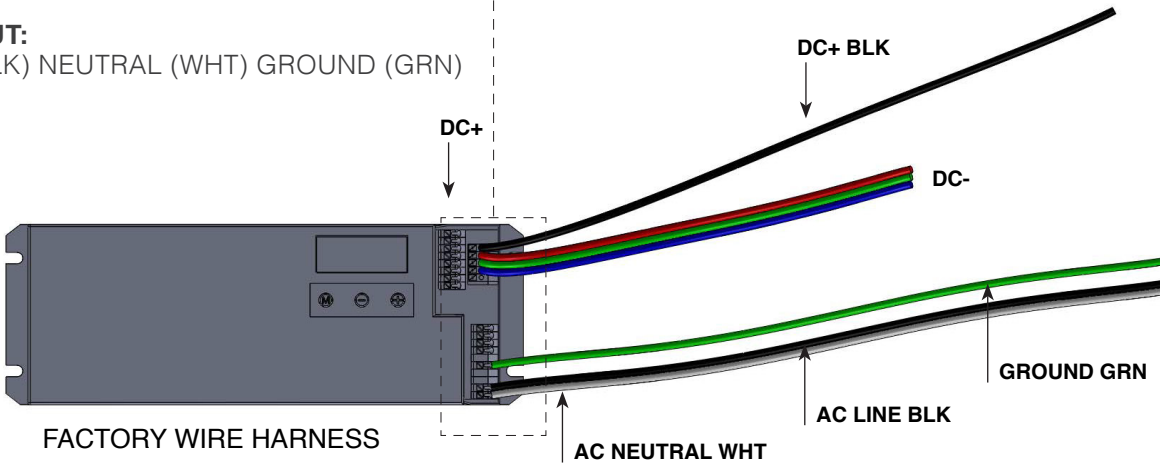
FIXTURE LOAD:

Requires 4 conductor cable
BLACK = COMMON POS+
RED, GREEN, BLUE = NEG-

INSTALL PER NEC

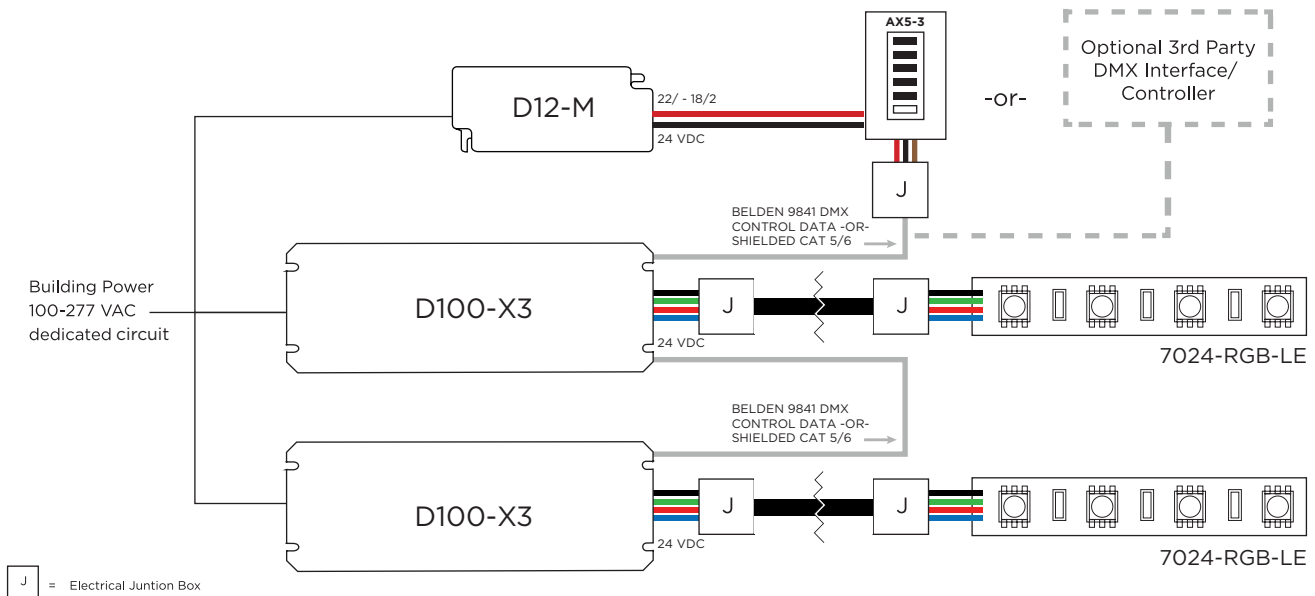
AC INPUT:

LINE (BLK) NEUTRAL (WHT) GROUND (GRN)



Component of a complete system including: Aion LED A-Track Light Engine, Aion LED A-Track housing with diffuser lens, & Aion LED driver (power supply). Dimmer not included. Approved dimmers, controls, power supplies, cable, & other components only. Contact Aion LED for questions regarding compatibility. Electrician installed. Strictly adhere to NEC & local building code. Limited 5-year warranty against manufacturing defects only, does not cover labor; voided by: inadequate ventilation, field modifications, installation by unqualified personnel, unapproved controls, drivers, cabling, other devices, not following installation guidelines & protocol, general negligence. Installer assumes all liability with regard to property & safety. This product is UL listed. See separate "Aion LED Warranty Terms" & additional instructional materials for more information. Authorized installers only. Systems tested prior to shipping.

X3 WIRING DIAGRAM

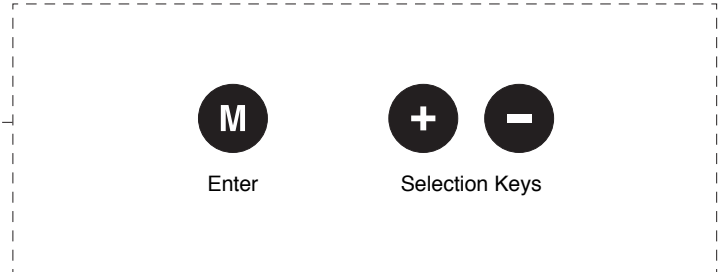
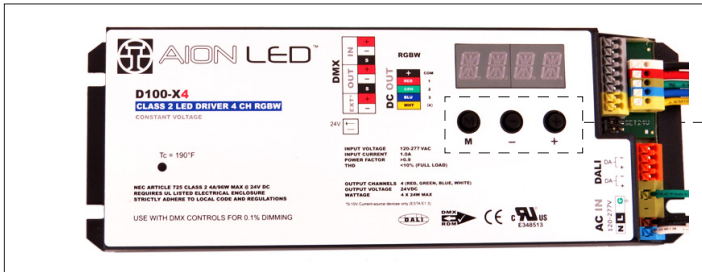


INSTALLATION INSTRUCTIONS

1. Install per NEC and Local code by qualified personnel
2. Requires UL Listed enclosure with adequate ventilation
3. Strain-relief wiring to enclosure to prevent wires from pulling out
4. Wire AC power with 18AWG power wire
5. Ensure that jacket goes all the way into connector
6. Connect DMX controller to 'DMX in' on first unit with Belden 9841 DMX wire (plus, minus, shield) -or- shielded CAT5/6
7. Daisy chain additional units from 'DMX out' to 'DMX in' of following unit with Belden 9841 cable -or- shielded CAT5/6
8. Terminate only the final unit in DMX chain via programming interface
9. Each driver is pre-programmed from factory Do not change settings
10. Wire fixture to wire harness with wire nuts [R, G, B, DC+ (Black)]



PROGRAMMING GUIDE



Ensure all wiring is correct and properly terminated
Factory Programmed. Ships with Default Settings Below

USER MENU

Highlighted Yellow = User Defined

M	DMX Address = 1 Default
M	Network Resolution = 8 bit
M	Term = No terminate final driver in chain
M	Network Set = Manual
M	Interpolation = Color

TO LOCK/ UNLOCK MODE MENU

M + +	Hold for 3 seconds, then select (+) or (-) to lock or unlock
---------------------	--

TO ACCESS OUTPUT MENU

M + +	Hold for 0.5 seconds LED = RGB
M	External Input = OFF
M	Dim Curve = Log

TO ACCESS MODE MENU

M	Hold for 3 seconds SET MODE = DMX
----------	--------------------------------------

Component of a complete system including: Aion LED A-Track Light Engine, Aion LED A-Track housing with diffuser lens, & Aion LED driver (power supply). Dimmer not included. Approved dimmers, controls, power supplies, cable, & other components only. Contact Aion LED for questions regarding compatibility. Electrician installed. Strictly adhere to NEC & local building code. Limited 5-year warranty against manufacturing defects only, does not cover labor; voided by: inadequate ventilation, field modifications, installation by unqualified personnel, unapproved controls, drivers, cabling, other devices, not following installation guidelines & protocol, general negligence. Installer assumes all liability with regard to property & safety. This product is UL listed. See separate "Aion LED Warranty Terms" & additional instructional materials for more information. Authorized installers only. Systems tested prior to shipping.